

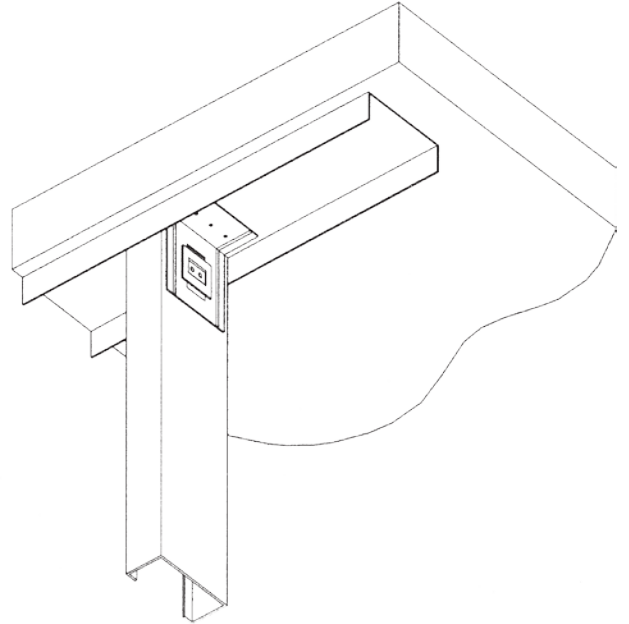
Interior Top Track Deflection Clip ITTC 450

Product Application:

The Top Track Clip secures interior drywall studs at head of wall which is top of wall to deck or building structural frame and allowing for vertical deflection of 3/4" up and down not designed for axial load.

Product Attributes:

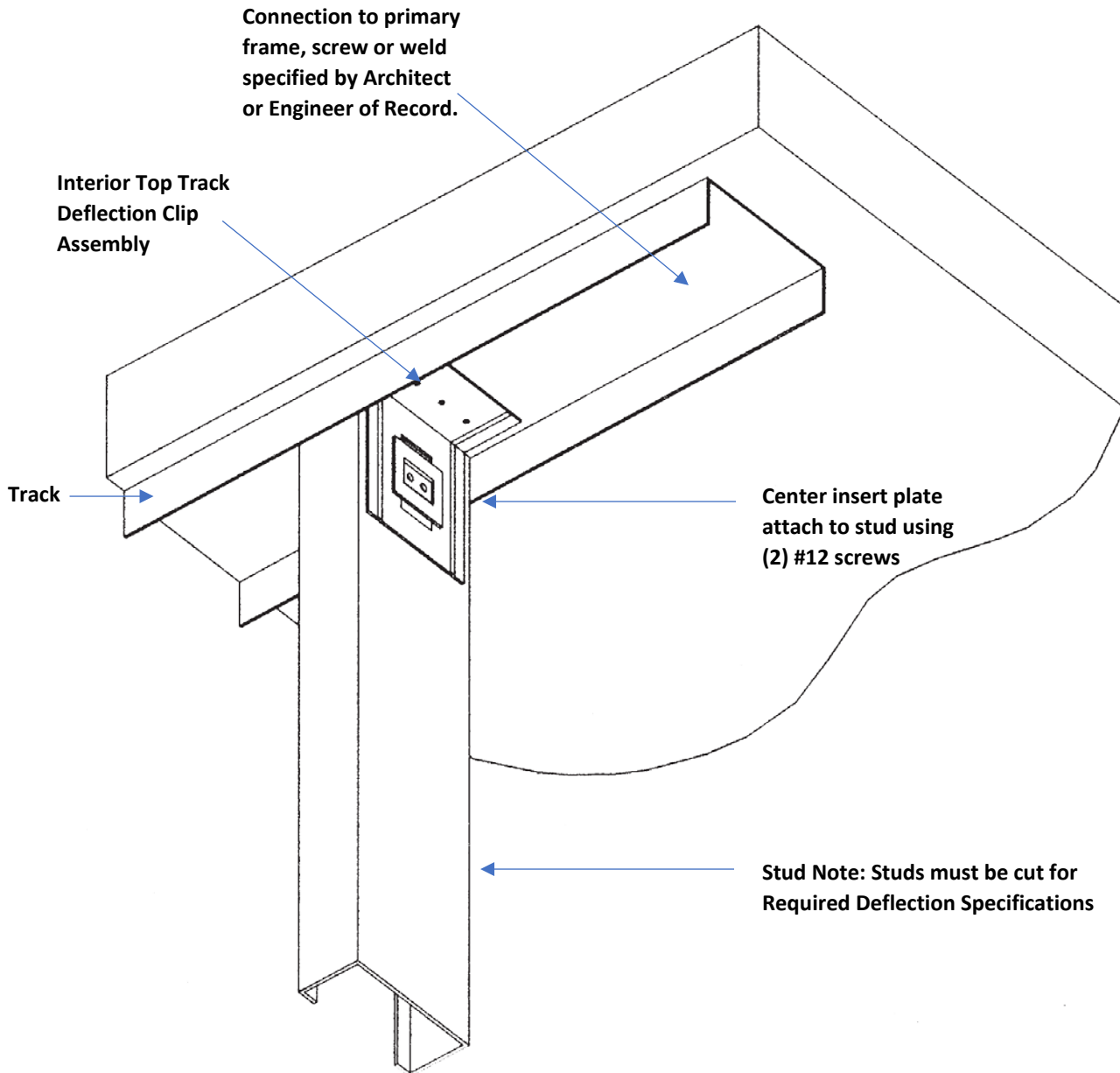
1. Resist horizontal forces in both positive & negative direction.
2. Use of certified steel ASTM A 653-CSB.
3. Ease of installation to top of wall or to primary structural frame is dependent upon base material (concrete or steel) and design configurations.
4. Sliding mechanism screw attachment to stud web.



Allowable Vertical Design Load		
Model No. ITTC 450 (for 3 1/2" to 6" studs)		
<i>Stud Material Thickness Inches (Ga). mm.</i>	<i>Stud Yield Strength (Fy). KSI (MPa).</i>	<i>Design Load Lbs. (kN)</i>
0.019 (25) 0.48	33 (227)	180 (.79)
0.033 (20) 0.84	33 (227)	300 (1.33)
0.043 (18) 1.09	33 (227)	450 (1.99)



Suggested Detail for Installation of the Interior Top Track Deflection Clip 450 (Patent Pending)



½" Total Vertical Deflection One Way ¾" Deflection Up & Down

DETAIL TO BE VERIFIED WITH ARCHITECT / ENGINEER OF RECORD PRIOR TO INSTALLATION.