

RC Super™

Single Leg Resilient Channel

Super Stud *RC Super* will enhance the STC rating of your metal or wood framing project. Used as a cross-furring member, *RC Super* is installed perpendicular to the framing members. Pre-punched for easy attachment with holes 2" O.C. Screws should be used to attach *RC Super* to metal or wood framing as nailing is not recommended.

Product Specs

Material: Grade 40 ksi minimum yield strength. G-40 Galv.

Design thickness: .023

ASTM Standards

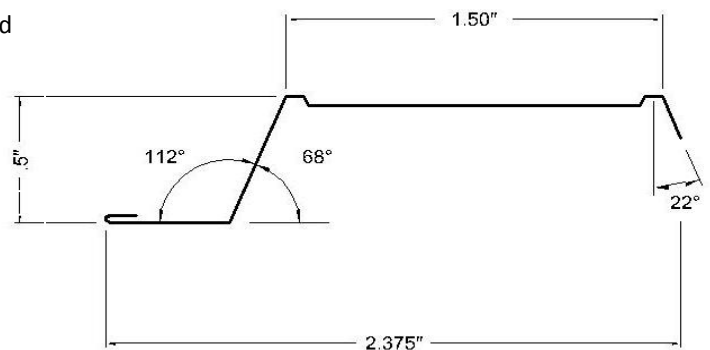
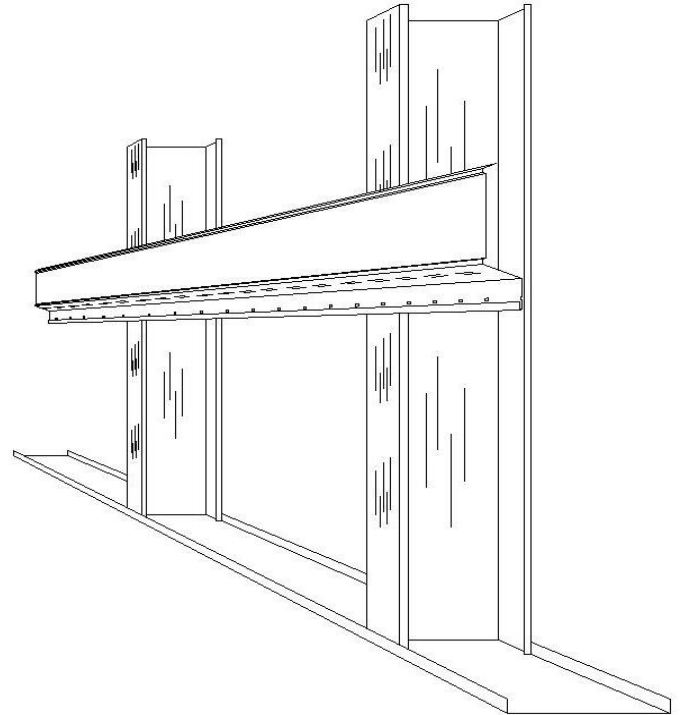
- Super Stud Building Products Inc. manufactures nonstructural steel framing members, components, and accessories in compliance with American Iron & Steel Institute (AISI) and ASTM design A653, C645.
- *RC Super* is produced to meet or exceed ASTM C645.
- Galvanized sheet steel meets requirements of ASTM A924 and A1003
- Complete installation info is available on ASTM C754

Sound rating for Assemblies

Wall depth	Gypsum	Insulation	Spacing	Edge plus RC Super Est.
4-7/8"	5/8" 1 plus 1	R-13 unfaced	24" o.c.	55 STC
5-1/2"	5/8" 1 plus 2	R-13 unfaced	24" o.c.	60 STC
6-1/8"	5/8" 2 plus 2	R-13 unfaced	24" o.c.	62 STC

Please refer to Super Stud "The Edge" Steel Framing catalog for additional information on UL & STC ratings.

Testing performed on 3 5/8" EDS 25 by Western Electro-Acoustic Laboratory [WEAL]. Plus 4 points for the resilient channel.



RC Super meets the resilient channel requirements of the following UL assemblies:
L521, L546, L547, L550, L558, L562, L563, L569, L570, L574, L576, L579, L589, L590, L592, L593, L598, M501, M502, M503, M506, P515, P522, P524, P531, P533, P535, P538, P541, P545, P549, P551, P552.