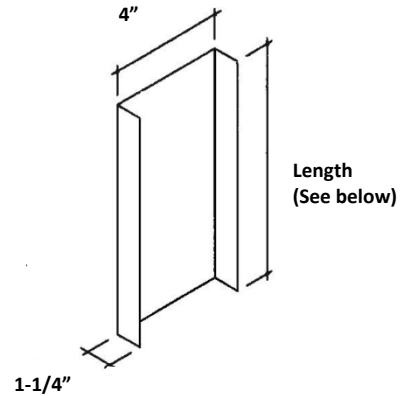


## Web Stiffener 4" Wide Height = Joist Depth minus 1/4 inch

### Product Application:

Web stiffeners are used as a joist or header web reinforcement piece. These factory pre-cut sections are available in standard lengths to fit inside the flanges of a floor joist or built-up header.



**Thickness:** 54 mil (16 gauge), 0.0538" minimum; 0.0566" design  
**Yield strength:** 50 KSI minimum  
**Dimensions:** 4" Web X 1-1/4" Legs  
**Packaging:** (10) Pieces per bundle

### ASTM & Code Standards:

- Structural framing is produced to meet or exceed ASTM C955
- Galvanized sheet steel meets or exceeds requirements of A653 and A1003
- Meets ASTM C1007 when properly installed in a structure

### Product Attributes:

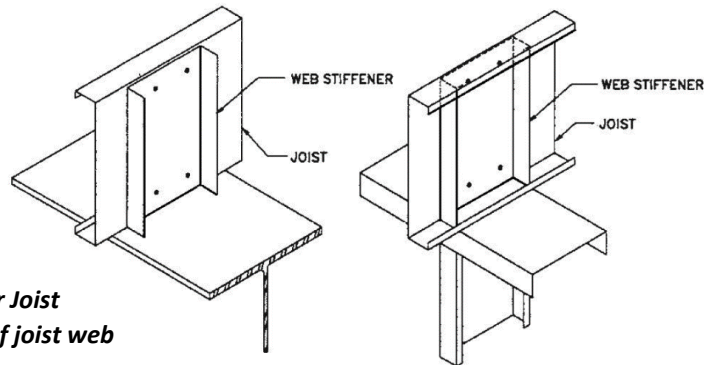
- Available coatings: G60 (standard), G90

### Used in Framing Applications:

- Floor Joists
- Built-up headers

Web Stiffener Length Chart	
<i>(Depths in blue are custom joist depths)</i>	
Joist Depth	Web Stiffener Length
18" (1800S)	17-3/4"
16" (1600S)	15-3/4"
14" (1400S)	13-3/4"
12" (1200S)	11-3/4"
11 1/4" (1125S)	11"
10" (1000S)	9-3/4"
8" (8000S)	7-3/4"
7 1/4" (725S)	7"
6" (600S)	5-3/4"
5 1/2" (550S)	5-1/4"
4" (400S)	3-3/4"

*Custom web stiffeners can be made if required for joists less than 4" deep*



**Web Stiffener Used in Floor Joist**  
 Can be installed on either side of joist web

