

3/4" U-CANNEL (CRC) 54mil (16GA) 50 ksi – (075U050-54)

Product Description: Cold Rolled Channel (CRC) is a cold-formed galvanized steel framing component used as a lateral bracing and support member in cold-formed steel framing systems. CRC is commonly installed through stud punchouts, attached to clips, or used in miscellaneous framing applications where alignment, reinforcement, and load distribution are required.

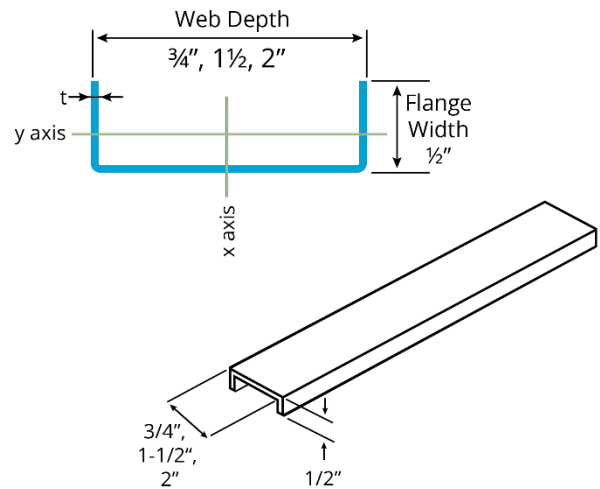
Specification Section: 05.40.00 (Cold-Formed Metal Framing)

Coating: G60 (G90 available)

Geometric Properties			
Web Depth:	0.750 in.	Yield Strength, F_y	50 ksi
Leg Width:	0.500 in.	Design Thickness:	0.0566 in.
		Min. Steel Thickness:	0.0538 in.

Gross Properties		
Area (in²)	Total cross-sectional steel area	0.087
Weight (lb/ft)	Linear weight per foot	0.296
I_x (in⁴)	Moment of inertia about the x-axis	0.007
R_x (in)	Radius of gyration about the x-axis	0.289
I_y (in⁴)	Moment of inertia about the y-axis	0.002
R_y (in)	Radius of gyration about the y-axis	0.156

Effective Properties		
I_x (in³)	Effective moment of inertia (x-axis)	0.007
S_x (in³)	Effective section modulus (x-axis)	0.019
Ma (in-k)	Allowable bending moment-effective section modulus	0.680
Va_g (lb)	Allowable shear force in web	496



Codes & Standards:

- **Structural Members**
 - ASTM C955
 - AISI S240
 - Installed per ASTM C1007
- **Material Standards**
 - ASTM A1003/A1003M
 - ASTM A653/A653M
- **Design Standards**
 - AISI S100-16 (2020) w/S2-20
 - AISI S202
- **Building Codes**
 - • International Building Code (IBC) 2006–2024

Sustainability & Compliance:

- SFIA Quality Certified Manufacturing
- Industry-Wide EPD Participant
- HPD Documentation Available Upon Request
- LEED Documentation Available Upon Request
- Buy America / Build America (BABA) Documentation Available Upon Request
- Manufactured in USA

Links:

- Submittal Builder: www.buysuperstud.com/submittal-builder

NEW HAMPSHIRE | NEW JERSEY | MISSISSIPPI
 Stronger Together.