

## 2" U-CANNEL (CRC) 54mil (16GA) 50 ksi – (200U050-54)

**Product Description:** Cold Rolled Channel (CRC) is a cold-formed galvanized steel framing component used as a lateral bracing and support member in cold-formed steel framing systems. CRC is commonly installed through stud punchouts, attached to clips, or used in miscellaneous framing applications where alignment, reinforcement, and load distribution are required.

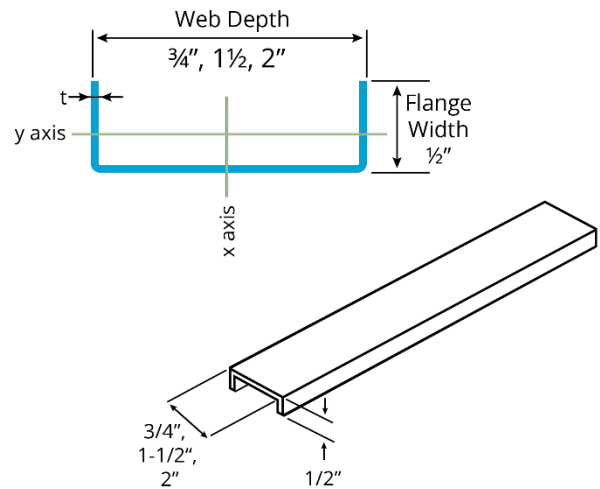
**Specification Section:** 05.40.00 (Cold-Formed Metal Framing)

**Coating:** G60 (G90 available)

Geometric Properties			
<b>Web Depth:</b>	2.000 in.	Yield Strength, $F_y$	50 ksi
<b>Leg Width:</b>	0.500 in.	Design Thickness:	0.0566 in.
		Min. Steel Thickness:	0.0538 in.

Gross Properties		
<b>Area (in<sup>2</sup>)</b>	Total cross-sectional steel area	0.158
<b>Weight (lb/ft)</b>	Linear weight per foot	5.537
<b>I<sub>x</sub> (in<sup>4</sup>)</b>	Moment of inertia about the x-axis	0.080
<b>R<sub>x</sub> (in)</b>	Radius of gyration about the x-axis	0.711
<b>I<sub>y</sub> (in<sup>4</sup>)</b>	Moment of inertia about the y-axis	0.003
<b>R<sub>y</sub> (in)</b>	Radius of gyration about the y-axis	0.137

Effective Properties		
<b>I<sub>x</sub> (in<sup>3</sup>)</b>	Effective moment of inertia (x-axis)	0.080
<b>S<sub>x</sub> (in<sup>3</sup>)</b>	Effective section modulus (x-axis)	0.080
<b>Ma (in-k)</b>	Allowable bending moment-effective section modulus	2.789
<b>Va<sub>g</sub> (lb)</b>	Allowable shear force in web	1822



### Codes & Standards:

- **Structural Members**
  - ASTM C955
  - AISI S240
  - Installed per ASTM C1007
- **Material Standards**
  - ASTM A1003/A1003M
  - ASTM A653/A653M
- **Design Standards**
  - AISI S100-16 (2020) w/S2-20
  - AISI S202
- **Building Codes**
  - • International Building Code (IBC) 2006–2024

### Sustainability & Compliance:

- SFIA Quality Certified Manufacturing
- Industry-Wide EPD Participant
- HPD Documentation Available Upon Request
- LEED Documentation Available Upon Request
- Buy America / Build America (BABA) Documentation Available Upon Request
- Manufactured in USA

### Links:

- Submittal Builder: [www.buysuperstud.com/submittal-builder](http://www.buysuperstud.com/submittal-builder)

NEW HAMPSHIRE | NEW JERSEY | MISSISSIPPI  
 Stronger Together.