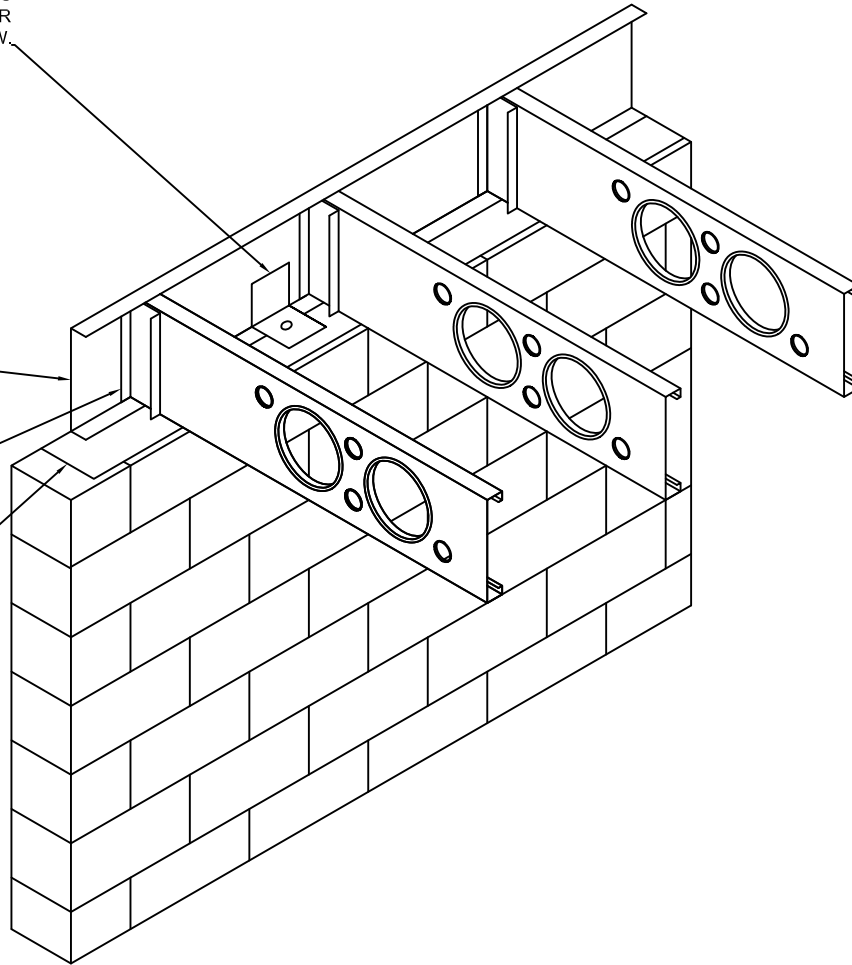


5" x 5" x 5" x MIN 54 MIL ANGLE, AT 4' O.C.
ALONG RIM TRACK. USE MIN. (6) #10 SCREWS
TO RIM TRACK. SEE SCHEDULE FOR ANCHOR
BOLT REQUIREMENTS TO CONCRETE BELOW.

RIM TRACK: DEPTH AND THICKNESS
TO MATCH JOISTS. SCREW TOP FLANGE
TO EACH JOIST. BOTTOM FLANGE TO BE
SHOT TO LEDGER ANGLE OR BLOCK
EVERY 12" O.C.

ATTACH WEB STIFFENER TO RIM
TRACK USING (3) #10 SCREWS.
ATTACH TO JOIST WEB USING (6)
#10 SCREWS.

SILL SEALER OR MOISTURE ISOLATION STRIP
AS REQUIRED



JOIST BEARING ON CMU WALL