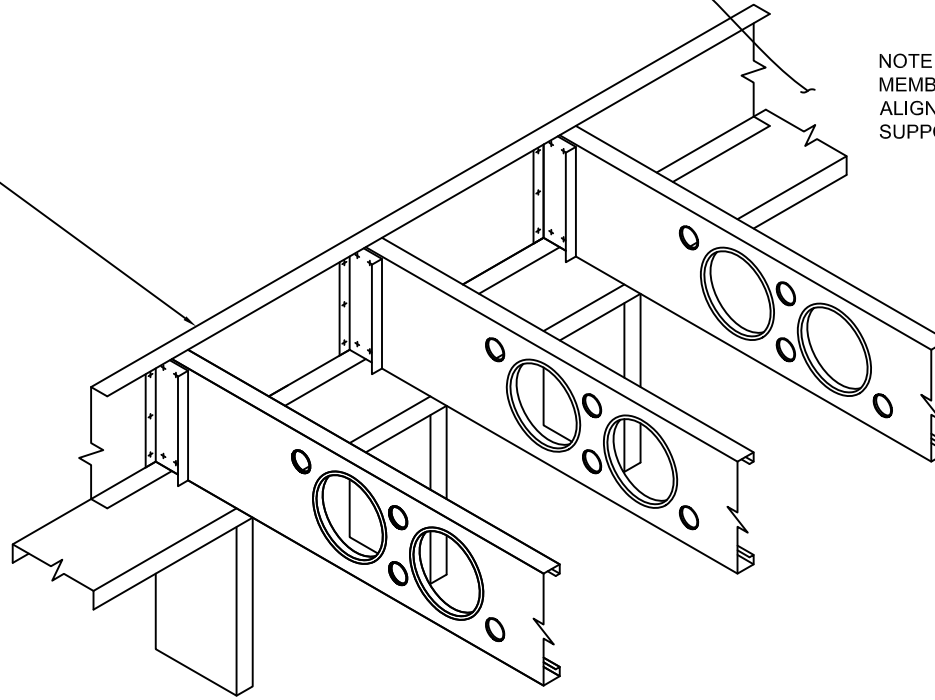


RIM TRACK: SAME DEPTH
AND THICKNESS AS JOISTS.
SCREW TO WALL TRACK
BELOW USING (1) SCREW
EVERY 16" O.C.

FLOOR SHEATHING NOT
SHOWN FOR CLARITY

NOTE: UNLESS LOAD DISTRIBUTION
MEMBER IS USED, JOISTS MUST
ALIGN WITHIN 3/4" OF CENTER LINE OF
SUPPORT STUDS BELOW



WEB STIFFENERS: USE MIN 54 MIL X 4" DEEP X 1 1/4" FLANGE
SEGMENT OF STUD OR TRACK. STIFFENER MAY BE UP
TO 1/2" LESS THAN JOIST HEIGHT

JOIST END SUPPORT ON STUD WALL