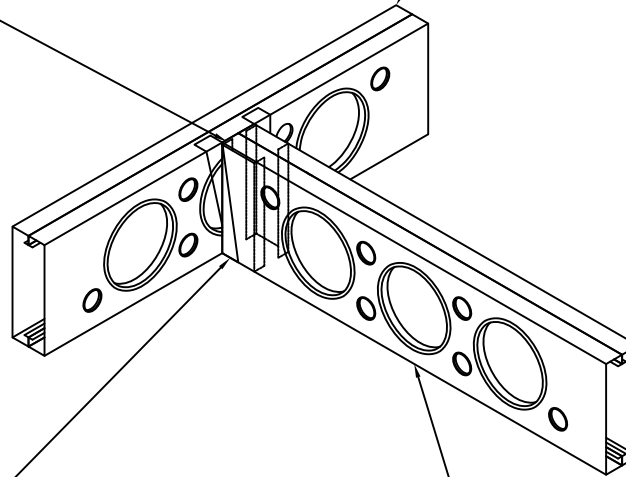


MINIMUM 54 MIL STIFFENER IN EACH JOIST. ATTACH LEG TO TOP AND BOTTOM OF HEADER USING (1) SCREW EACH (TOTAL OF 2 SCREWS) ATTACH TO WEB OF JOIST USING (6) SCREWS.

DOUBLE BOXED HEADER. SEE PLAN FOR SIZE AND CONFIGURATION.



JOIST HANGER: SIZED TO FIT DOUBLE MEMBER. USE (2) SCREWS THROUGH EACH TOP TAB TO TOP FLANGE OF HEADER. USE (1) SCREW THROUGH SIDE OF HANGER INTO WEB OF JOIST AND WEB STIFFENER. ALTERNATE: INSTEAD OF SCREWS, TOP TABS MAY BE WELDED TO HEADER IF HEADER IS MINIMUM 68 MIL MATERIAL.

DOUBLE OR SINGLE JOIST MEMBER. SEE PLAN FOR SIZE AND CONFIGURATION.

ALL SCREWS ARE #12 UNLESS NOTED OTHERWISE

JOIST HANGER BOXED HEADER

