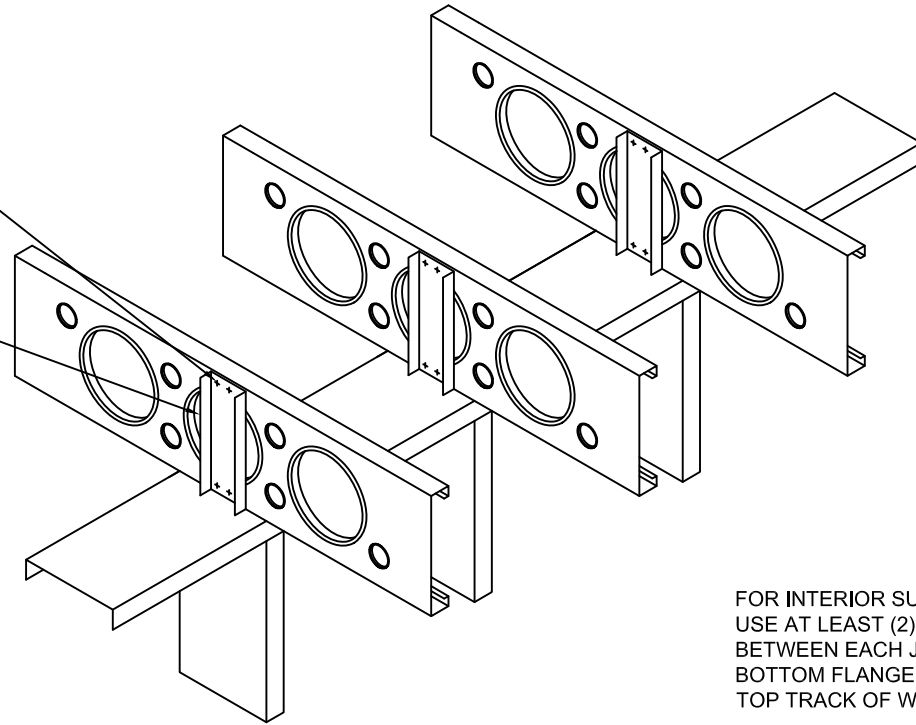


MINIMUM (2) #12 SCREWS OR
(3) #10 SCREWS TOP AND BOTTOM
SEE CONFIGURATION DETAIL

WEB STIFFENERS, AS REQUIRED.
SEE WEB STIFFENER DETAIL.



NOTE: UNLESS LOAD DISTRIBUTION
MEMBER IS USED, JOISTS MUST
ALIGN WITHIN 3/4" OF CENTER LINE OF
SUPPORT STUDS BELOW

FOR INTERIOR SUPPORT:
USE AT LEAST (2) SCREWS
BETWEEN EACH JOIST
BOTTOM FLANGE AND
TOP TRACK OF WALL BELOW.

WEB STIFFENERS: USE MIN 54 MIL X 4" DEEP X 1 1/4 FLANGE
SEGMENT OF STUD OR TRACK. STIFFENER MAY BE UP
TO 1/2" LESS THAN JOIST HEIGHT

JOIST INTERIOR SUPPORT ON STUD WALL